

Dishwasher Tailpiece

- 1½" tube body – 22 gauge brass
- 7/8" O.D. copper branch

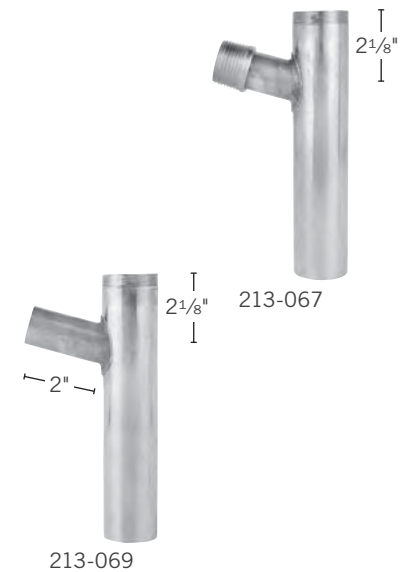
Item No	Dimensions	Nut Type	Branch Connection	Finish	Pkg	Min Qty	Case Qty
DIRECT CONNECT							
210-064	1½" × 6"	Solid brass	7/8" O.D.	Unfinished	B	25	25
210-066	1½" × 6"	Solid brass	7/8" O.D.	Chrome plated	B	25	25
210-084	1½" × 8"	Solid brass	7/8" O.D.	Unfinished	B	25	25
210-086	1½" × 8"	Solid brass	7/8" O.D.	Chrome plated	B	25	25
210-122	1½" × 12"	Zinc die cast	7/8" O.D.	Unfinished	B	25	25
SLIP JOINT CONNECTION							
216-084	1½" × 8"	Solid brass	7/8" O.D.	Unfinished	B	25	25
216-086	1½" × 8"	Solid brass	7/8" O.D.	Chrome plated	B	25	25



Major Tee™ Brass Condensate Tailpiece

- 1¼" tube body – 20 gauge
- Branch is higher than standard tailpieces – keeps drain line high and out of sight
- Improves looks and adds storage space
- Eliminates extension tailpiece

Item No	Dimensions	Tubular Connection	Branch Connection	Finish	Pkg	Min Qty	Case Qty
213-067	1¼" × 6"	Fine thread	¾" MIPv	Unfinished	B	25	25
213-069	1¼" × 6"	Fine thread	7/8" O.D.	Unfinished	B	25	25



Lavatory Branch Tailpiece

- For condensate drain
- 1¼" tubular brass body
- 7/8" O.D. copper branch

Item No	Dimensions	Gauge	Tubular Connection	Finish	Pkg	Min Qty	Case Qty
213-060	1¼" × 6"	20	Fine thread	Unfinished	B	25	25
213-061	1¼" × 6"	20	Fine thread × fine thread	Unfinished	B	25	25
213-068	1¼" × 6"	20	Fine thread	Chrome plated	B	25	25
215-064	1¼" × 6"	22	Slip joint	Unfinished	B	25	25
215-066	1¼" × 6"	22	Slip joint	Chrome plated	B	25	25

